



# THOMPSON

ARCHITECTURAL METAL & FABRIC STRUCTURES

DIVISION OF  
AMERICAN MADE  
AWNINGS OF HOLLYWOOD



## Architectural Metal Canopies

[ThompsonAP.com](http://ThompsonAP.com)





Thompson Architectural Metal & Fabric Structures is a family owned business that has been designing, fabricating and installing custom architectural awnings and canopies for 3 generations. Through wise investment in technology, information and personnel the company has become a leader in its field and provides full service in the continental U.S. and the Caribbean.

One of the many product lines that has become an in-demand item is the architectural metal canopy. The canopy serves as a shelter from sun and rain while enhancing the aesthetic appeal of the building.



Logos, graphics and signage can add an accent to your canopy while helping to grow your business.

Incorporating custom lighting can add another layer of visibility to your canopy, creating a high energy feel or one of peaceful ambiance. The wiring becomes part of the project design and is concealed by routing it through the framework.



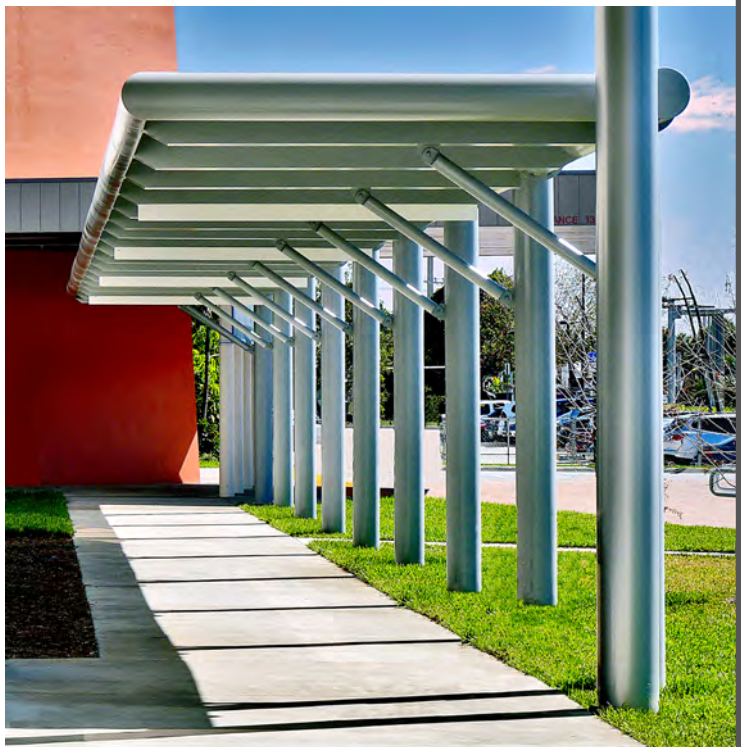
## ARCHITECTURAL METAL CANOPIES





All of our products are built using only top quality materials and expert craftsmanship. Unique designs can be created to suit your needs. We take care of all the details from conception through installation. Our services include design concepts, photo or 3D renderings, CAD drawings, engineering and permitting, eliminating scheduling conflicts caused by having more than one contractor involved in the project.

There are similar products in the marketplace but none that are designed, built and installed with the quality and customer satisfaction ratings that we have achieved. We value our long term relationships with architects, designers, contractors and owners and strive to build and nurture those relationships while continuing to establish new ones.

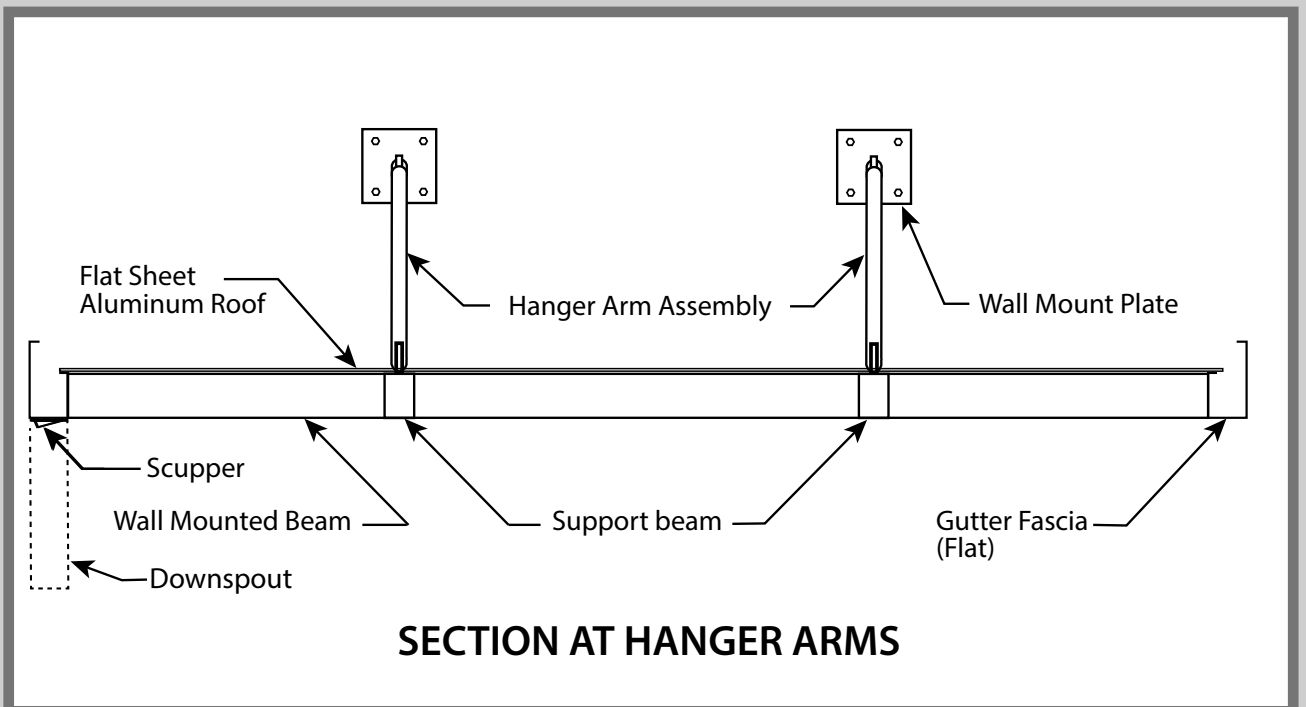
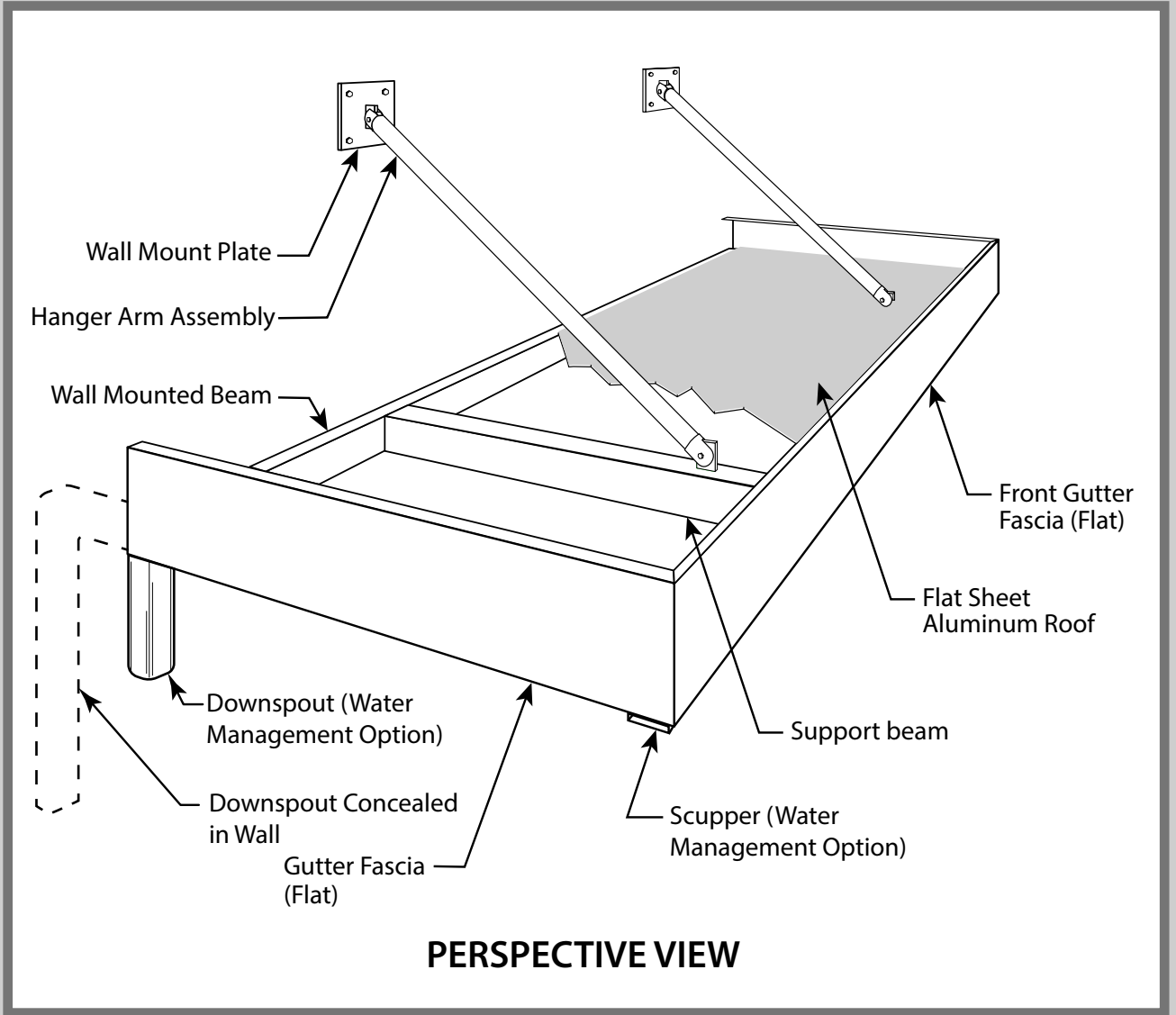


METAL CANOPIES

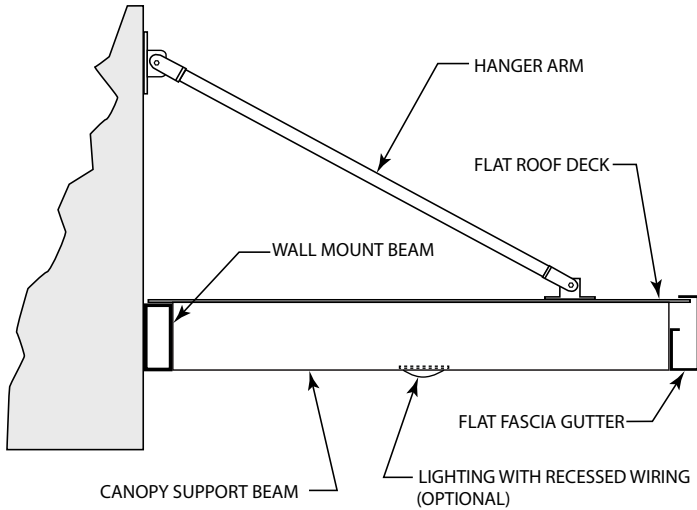
CUSTOM DESIGNS



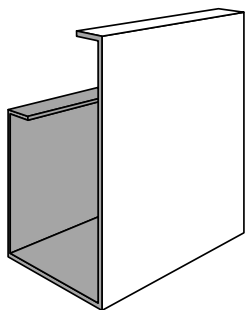
# Flat Fascia Canopy with Flat Metal Roof



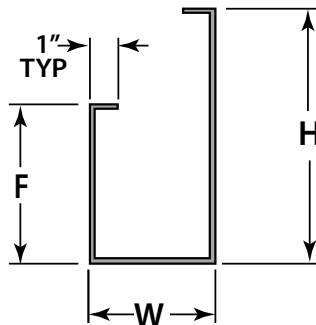




ROOF SECTION AT HANGER ARM



ISOMETRIC VIEW



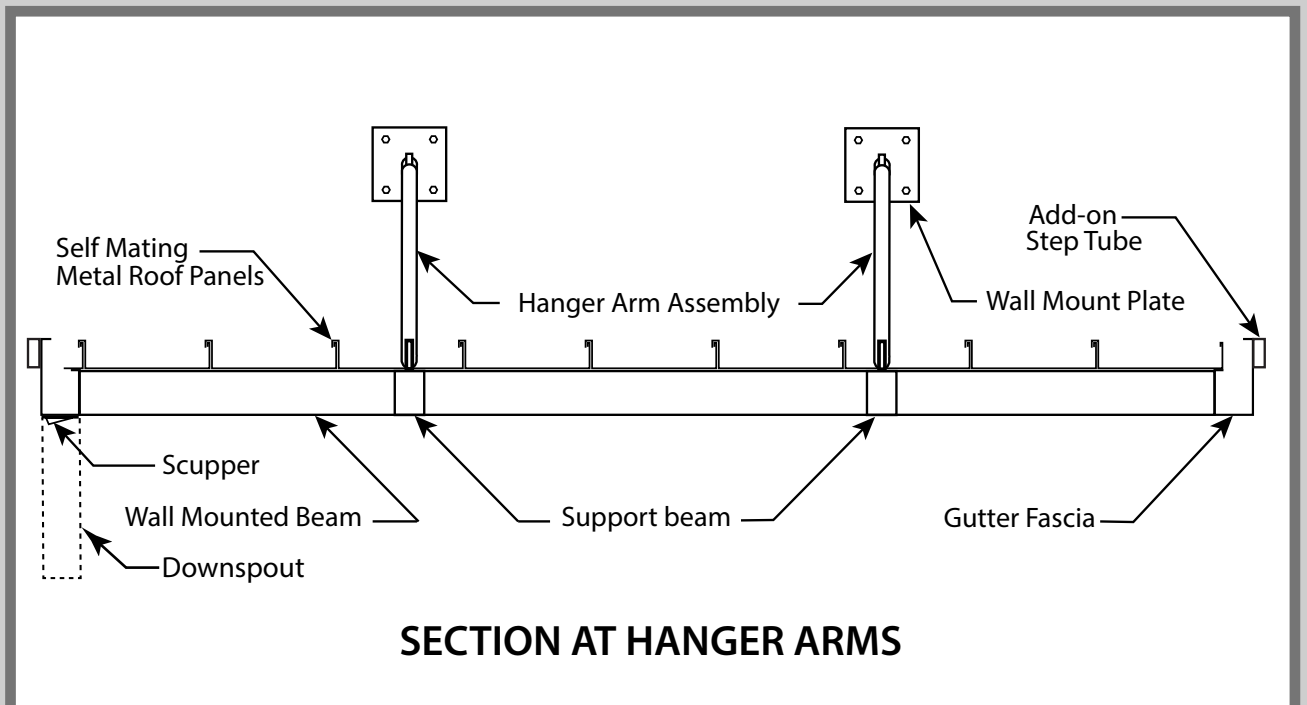
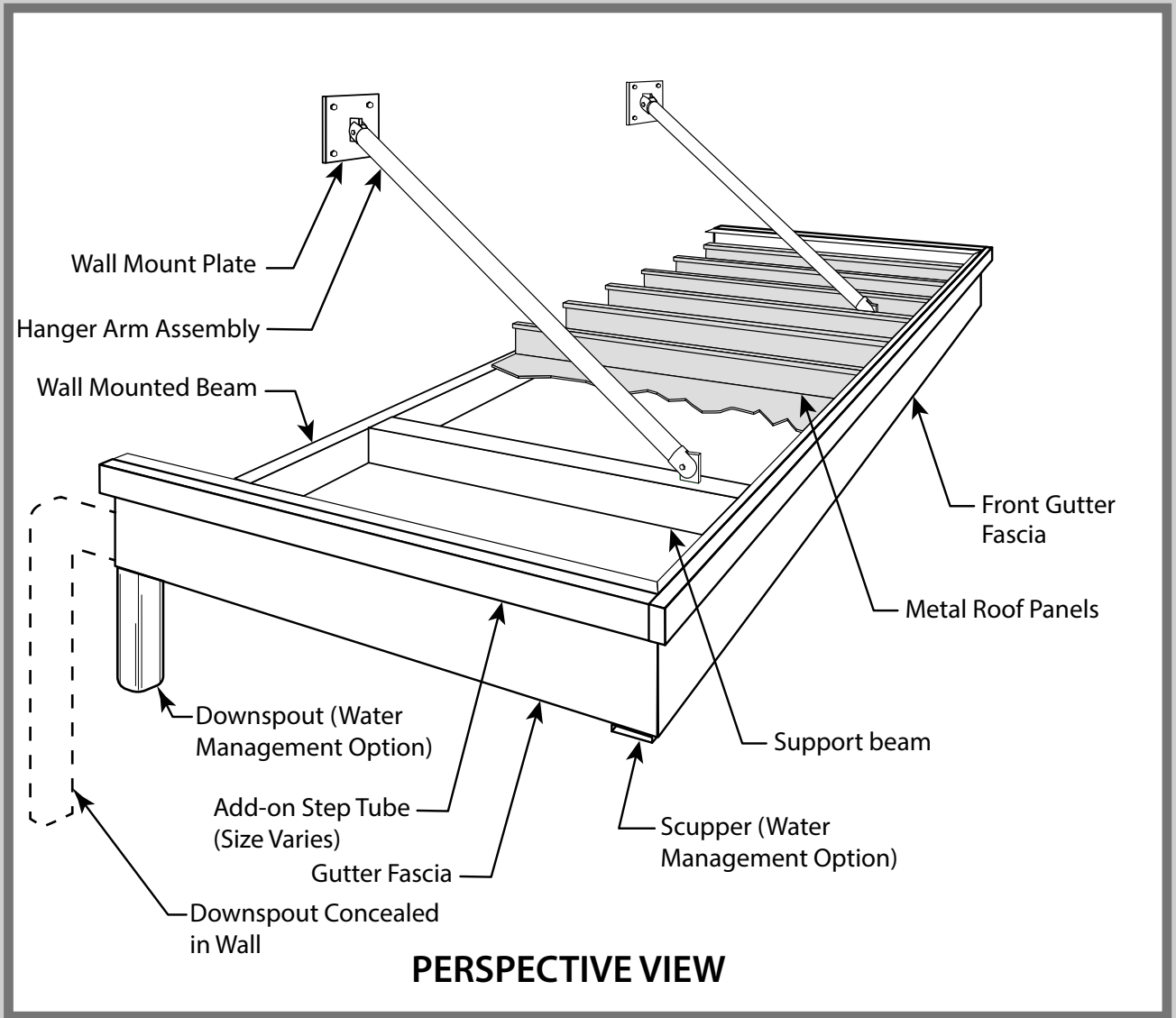
PROFILE VIEW

STANDARD GUTTER SIZES

| H" | W" | F"  |
|----|----|-----|
| 8  | 4  | 4.8 |
| 10 | 4  | 4   |
| 12 | 4  | 5   |



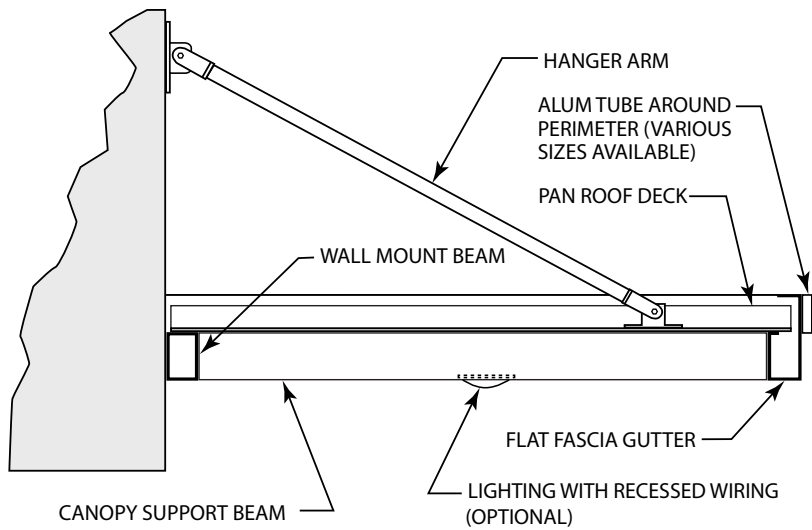
# One Step Fascia Canopy with 12" Pan Roof



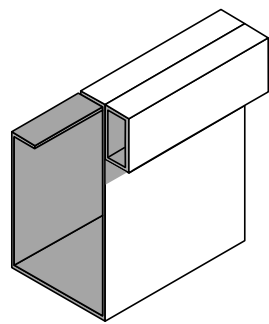




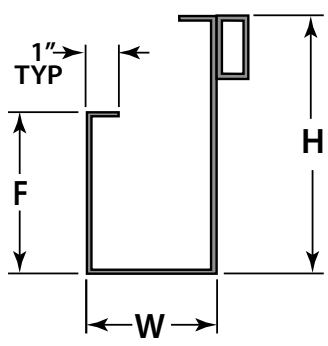
# METAL CANOPIES



**ROOF SECTION AT HANGER ARM**



**ISOMETRIC VIEW**



**PROFILE VIEW**

**STANDARD GUTTER SIZES**

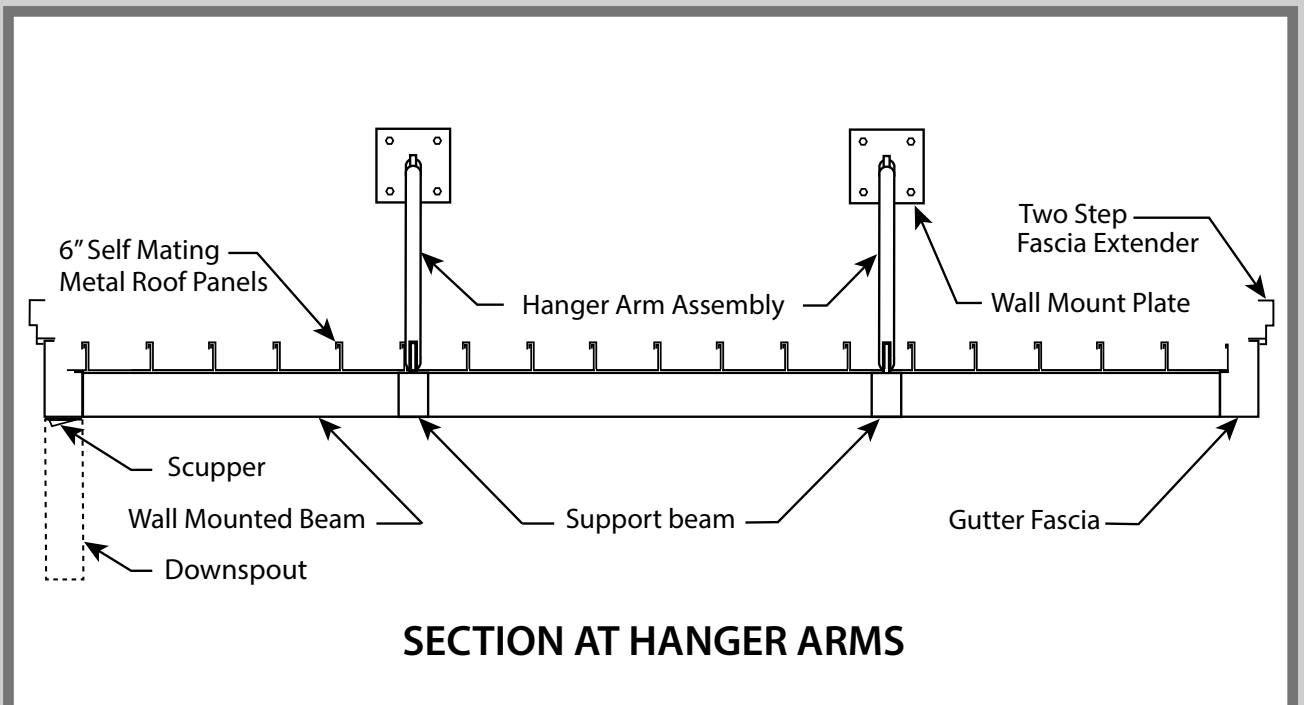
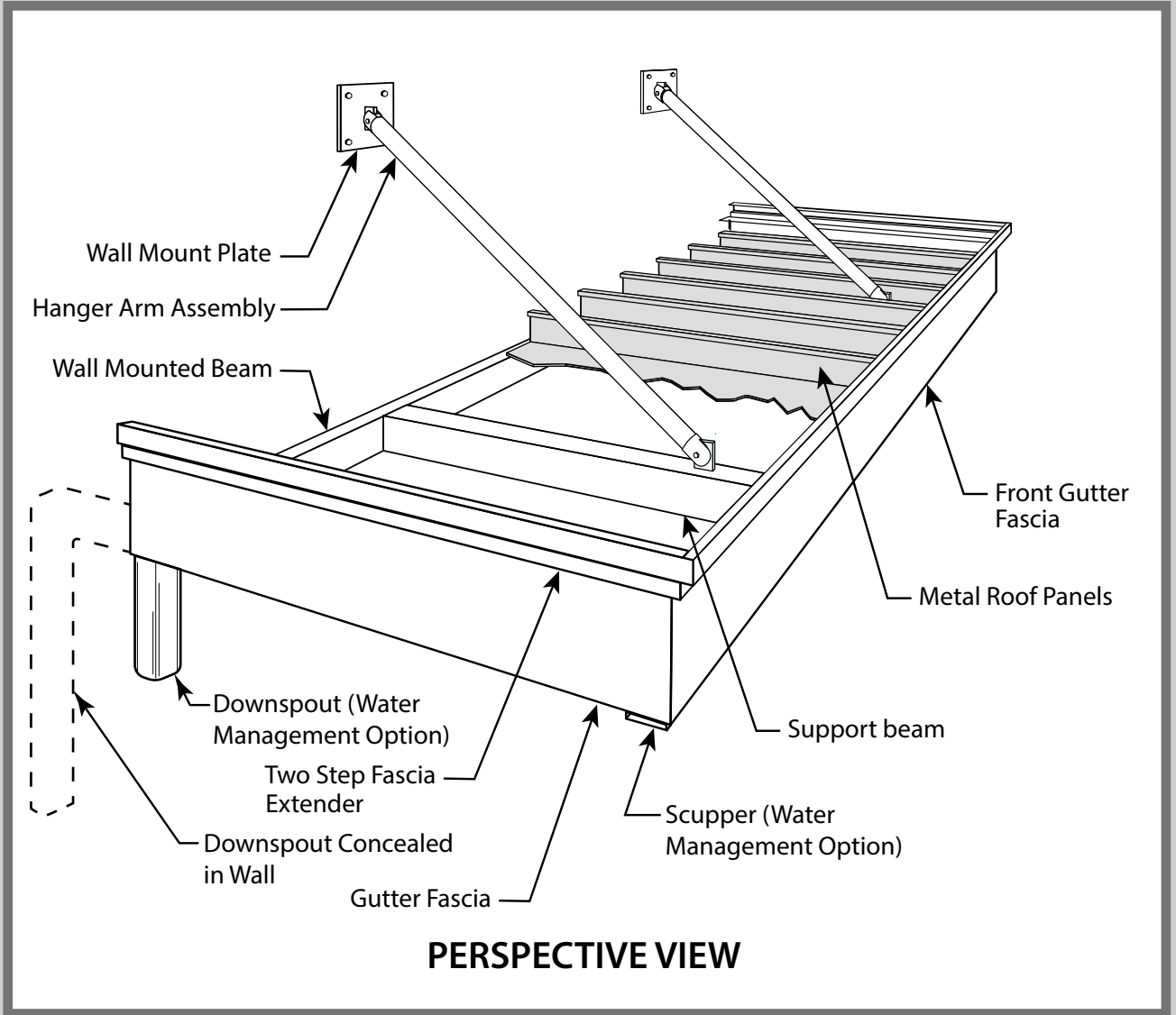
| H" | W" | F"  |
|----|----|-----|
| 8  | 4  | 4.8 |
| 10 | 4  | 4   |
| 12 | 4  | 5   |



# ONE STEP TUBE EXTENDER



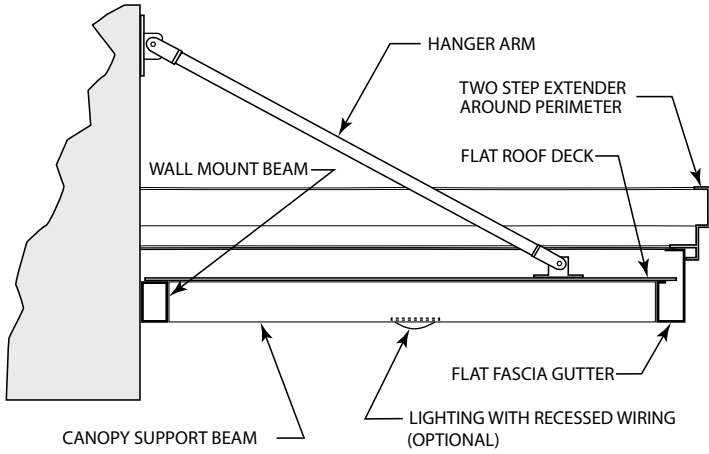
# Two Step Fascia Canopy with 6" Pan Roof



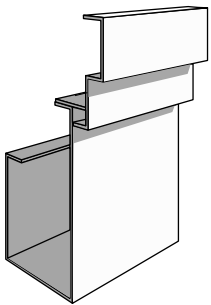




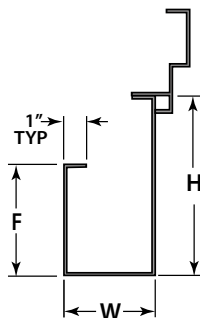
# METAL CANOPIES



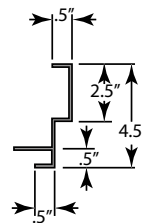
**ROOF SECTION AT HANGER ARM**



**ISOMETRIC VIEW**



**PROFILE VIEW**



**EXTENDER**

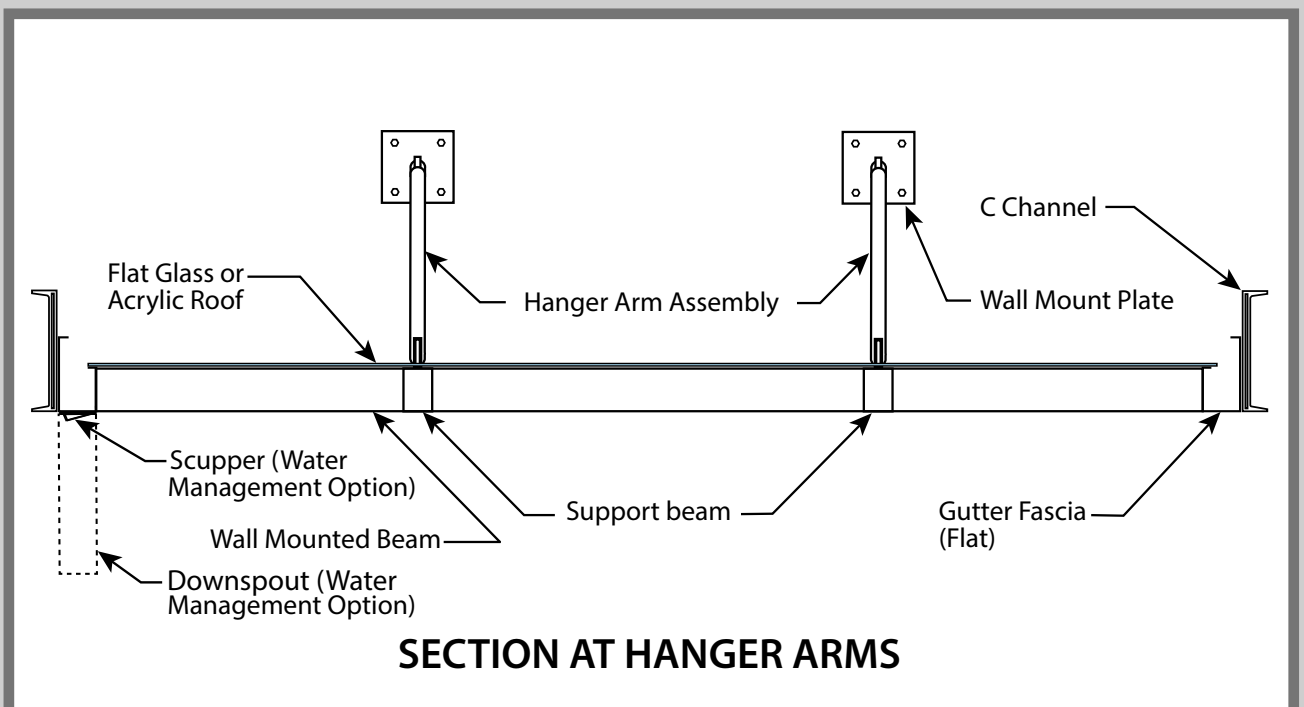
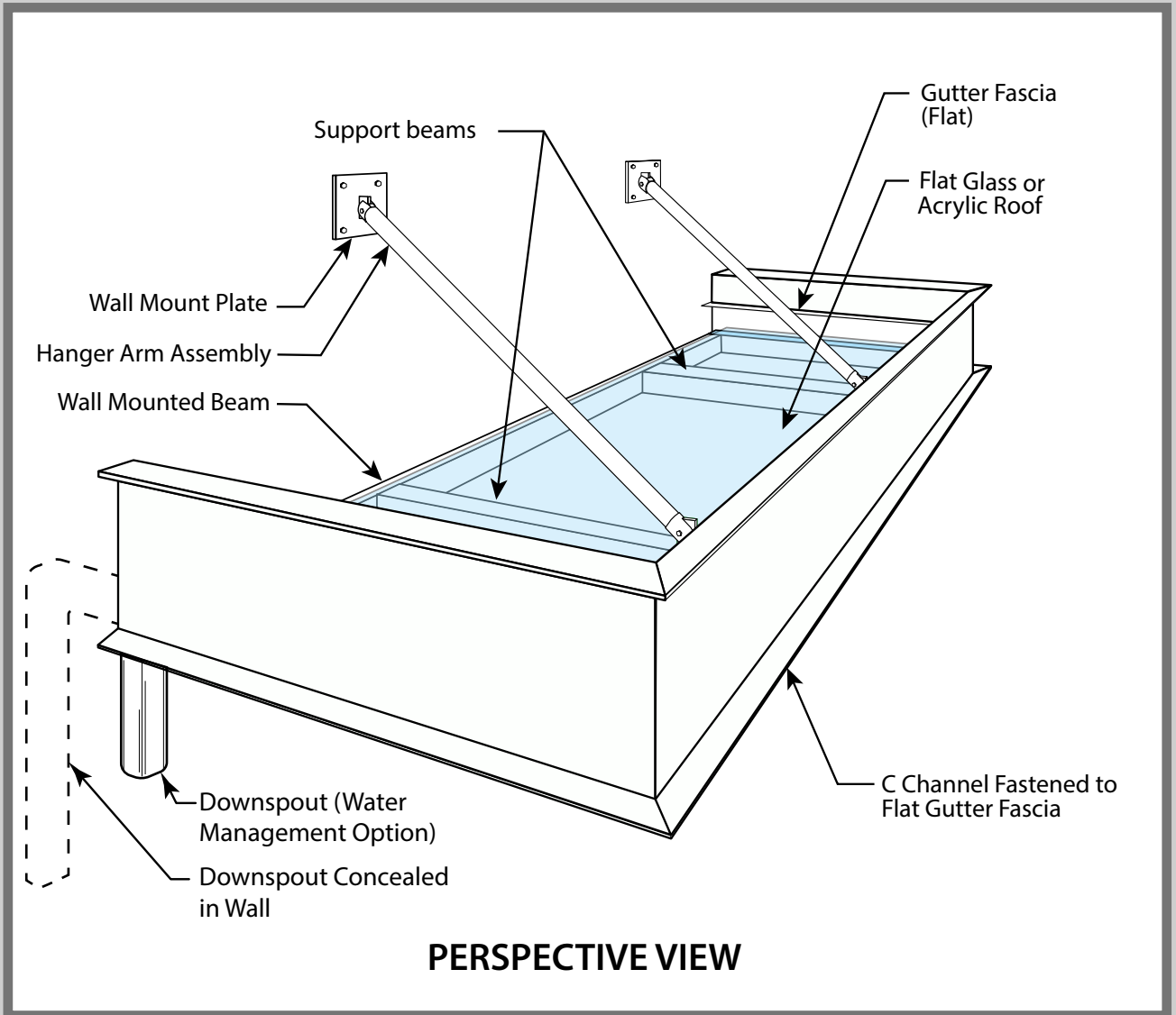
**STANDARD GUTTER SIZES**

| H" | W" | F"  |
|----|----|-----|
| 8  | 4  | 4.8 |
| 10 | 4  | 4   |
| 12 | 4  | 5   |

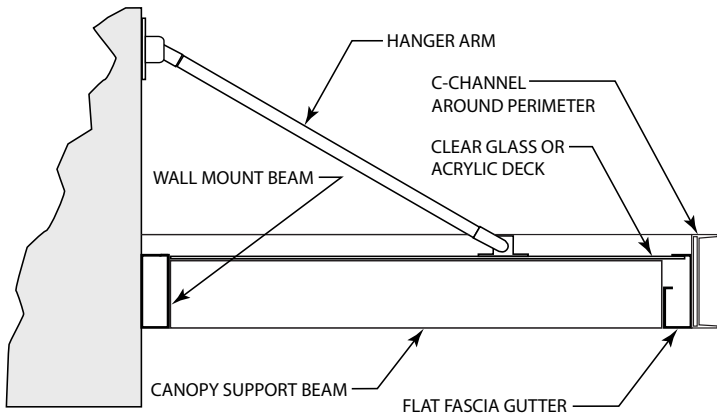
# TWO STEP FASCIA EXTENDER



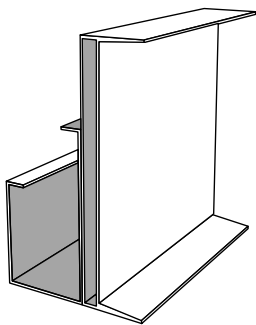
# C Channel Fascia Canopy with Glass or Acrylic Roof



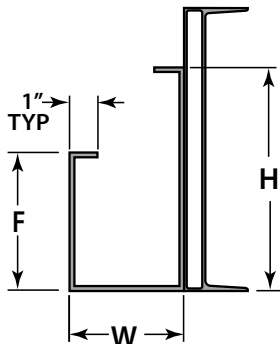




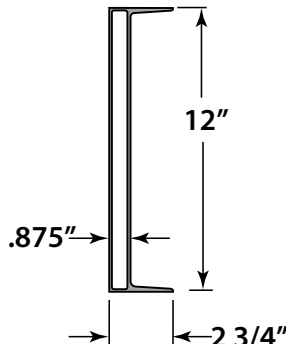
ROOF SECTION AT HANGER ARM



ISOMETRIC VIEW



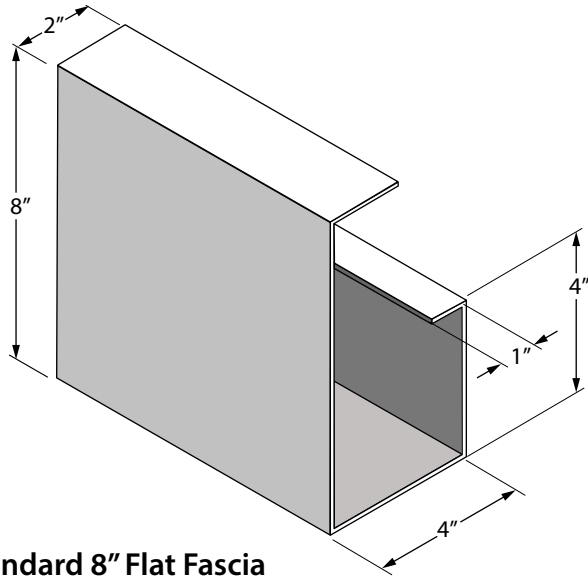
PROFILE VIEW



C CHANNEL

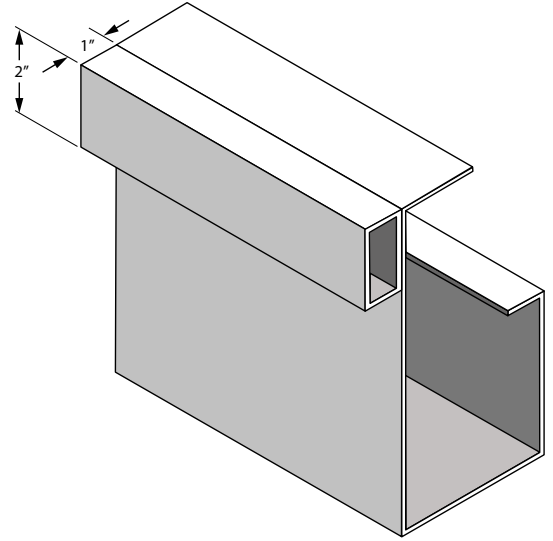
STANDARD GUTTER SIZES

| H" | W" | F"  |
|----|----|-----|
| 8  | 4  | 4.8 |
| 10 | 4  | 4   |
| 12 | 4  | 5   |



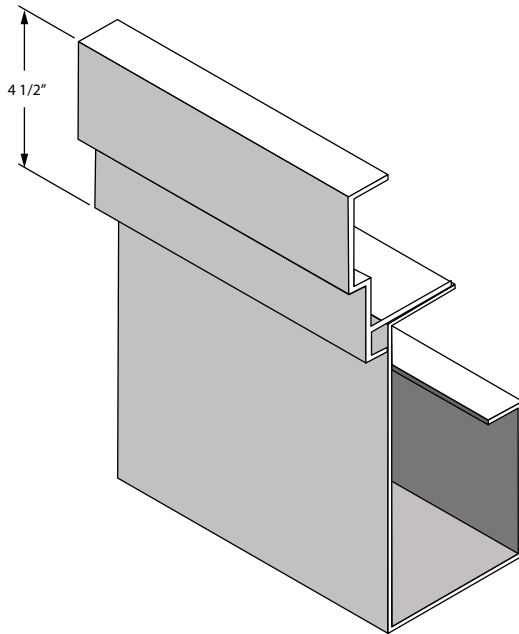
### Standard 8" Flat Fascia

Our standard size shown above  
Dimensions can be altered as required



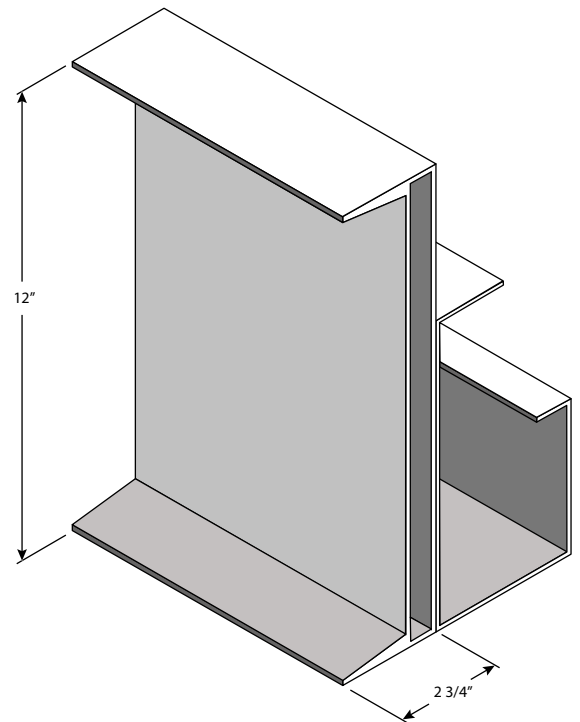
### One Step Fascia

Example above uses 1" x 2" tube  
Optional sizes of rectangular and square tubes may be substituted.



### Two Step Extender Fascia

Creates a 4 1/2" two step moulding



### C Channel Fascia

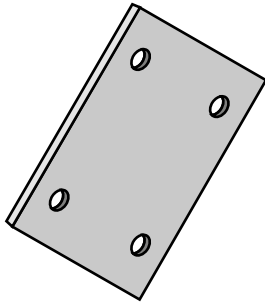
Example above uses a 12" x 2 3/4" C Channel  
Other size channels are available



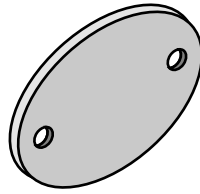


### WALL MOUNTING PLATES

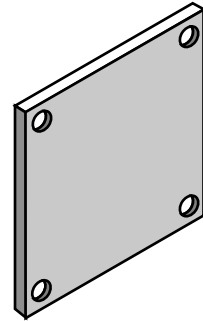
- Three Standard Designs
- Custom Designs Available



**Diamond**



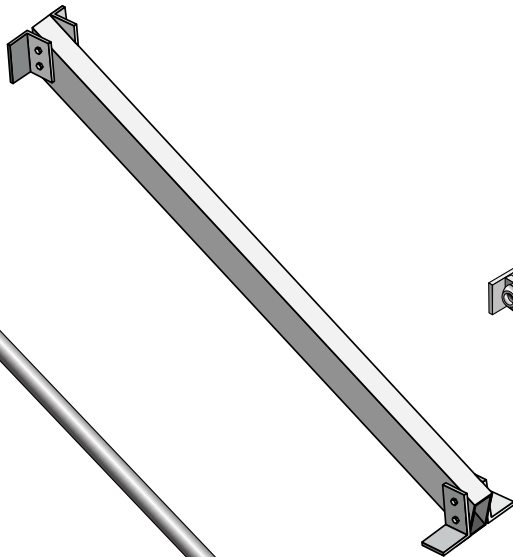
**Oval**



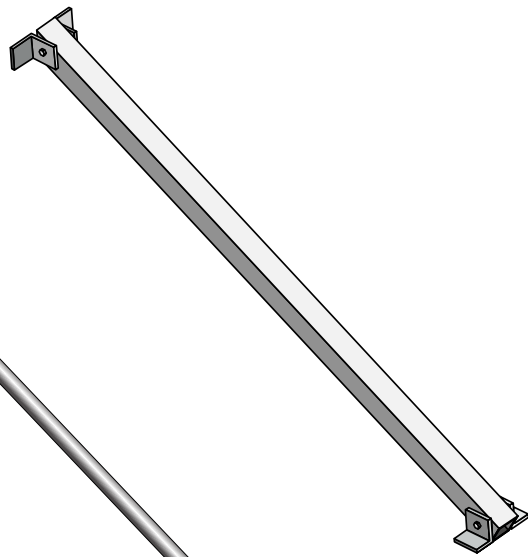
**Square**

### HANGER ARMS

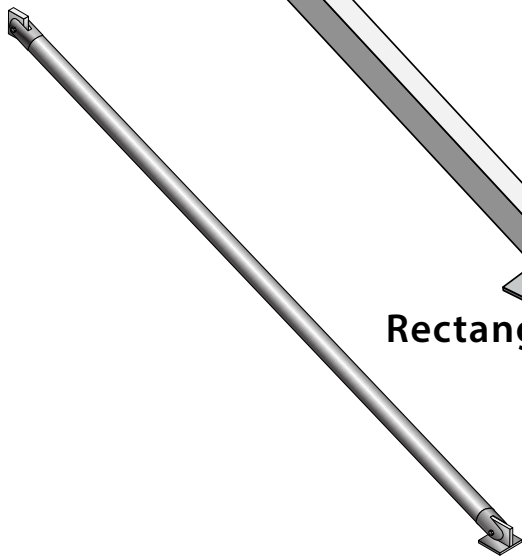
- Four Standard Designs
- Custom Sizes and Diameters Available



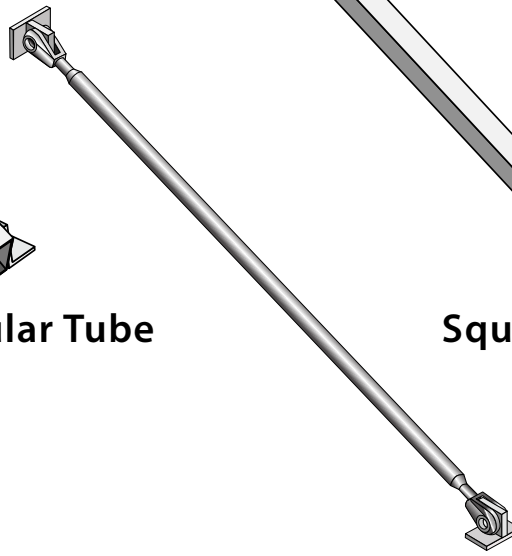
**Rectangular Tube**



**Square Tube**



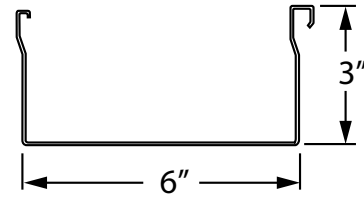
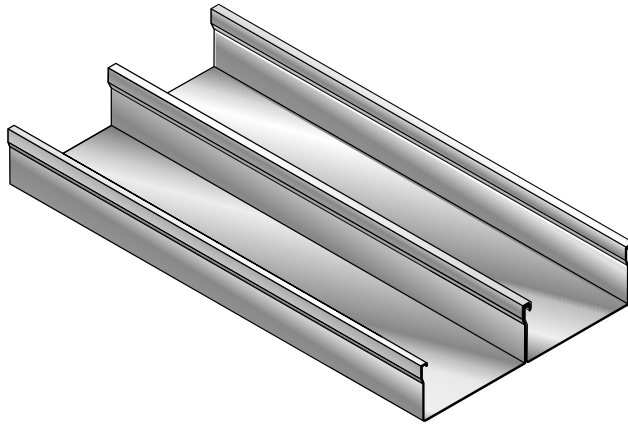
**Round Tube**



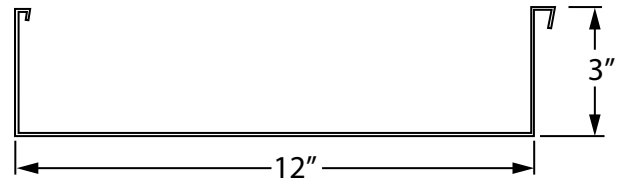
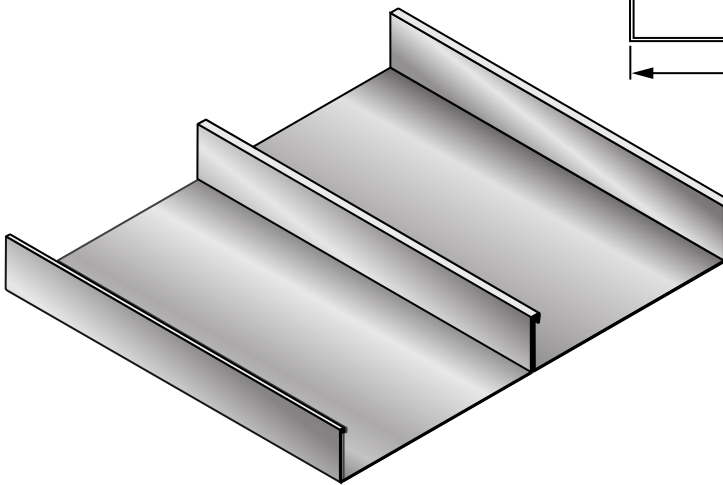
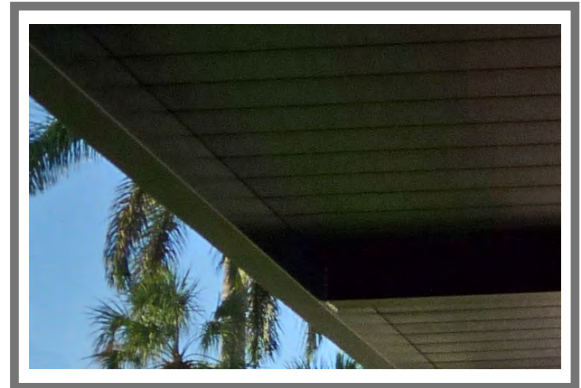
**Round Tube  
with Turnbuckles**



## METAL PAN ROOFS



3" X 6" Self Mating Roof Pans



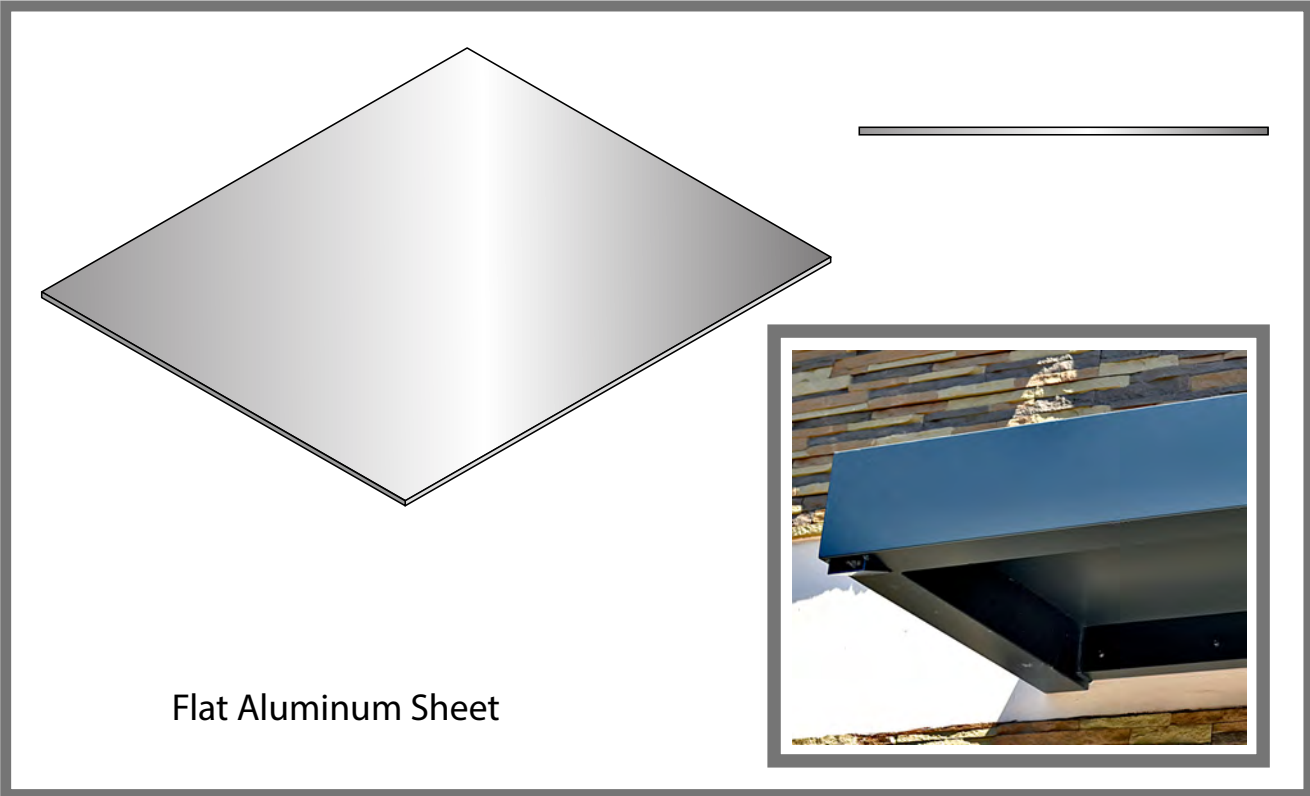
3" X 12" Self Mating Roof Pans



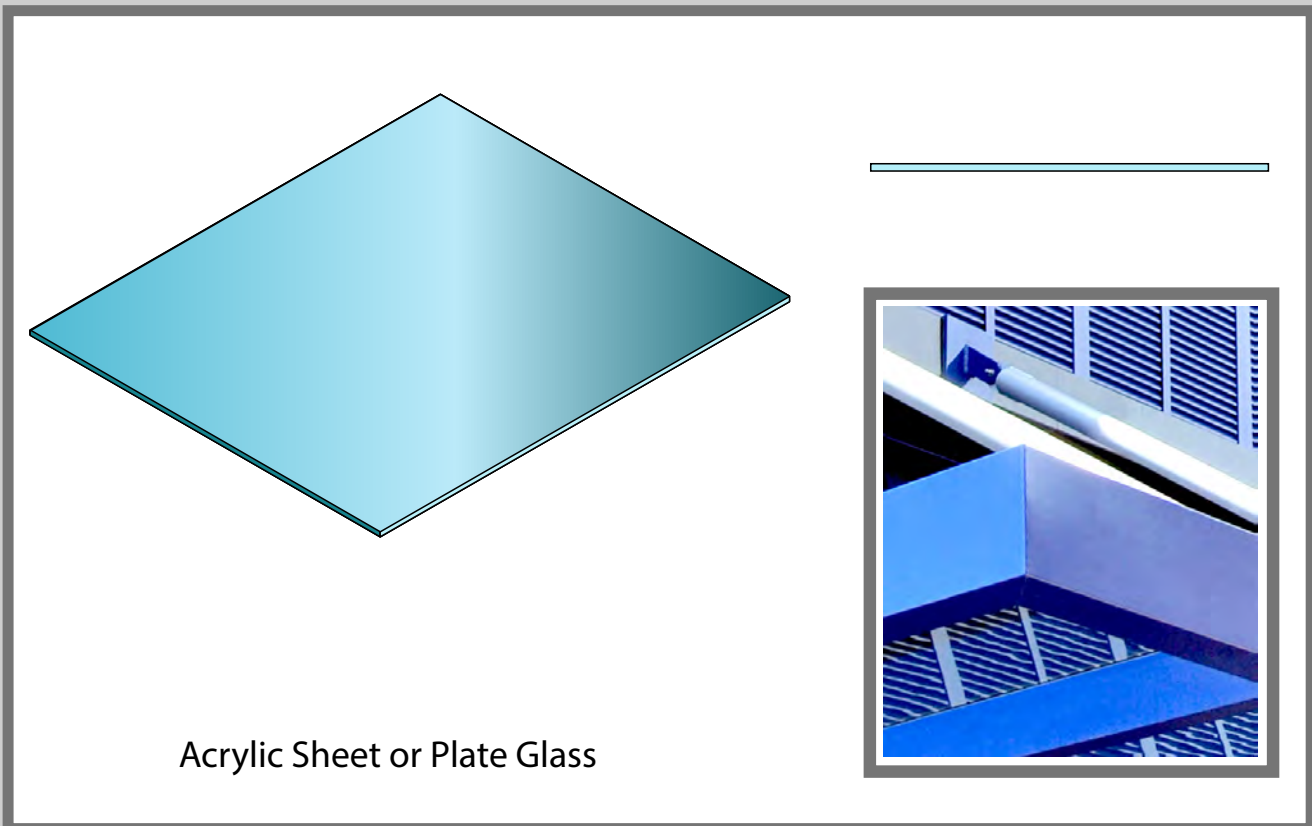
Self mating roof pans interlock to form a waterproof roof surface that is functional and aesthetically pleasing. Shown above are our standard pans. Other sizes and styles are available.



## FLAT ROOFS



Flat Aluminum Sheet

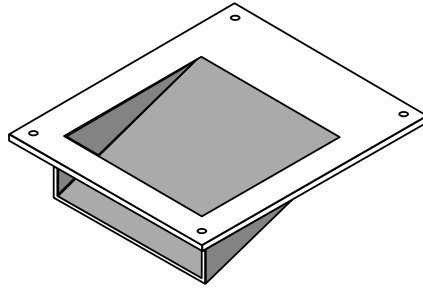


Acrylic Sheet or Plate Glass

Flat roofs create a smooth one-piece look. Sheet aluminum is the most common material used for flat roofs. Acrylic or glass are used for transparent roofs and are available in many different colors and tints. Material thicknesses vary depending on the spans to be covered.

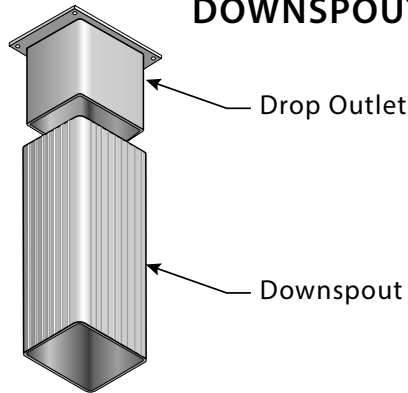


### SCUPPER



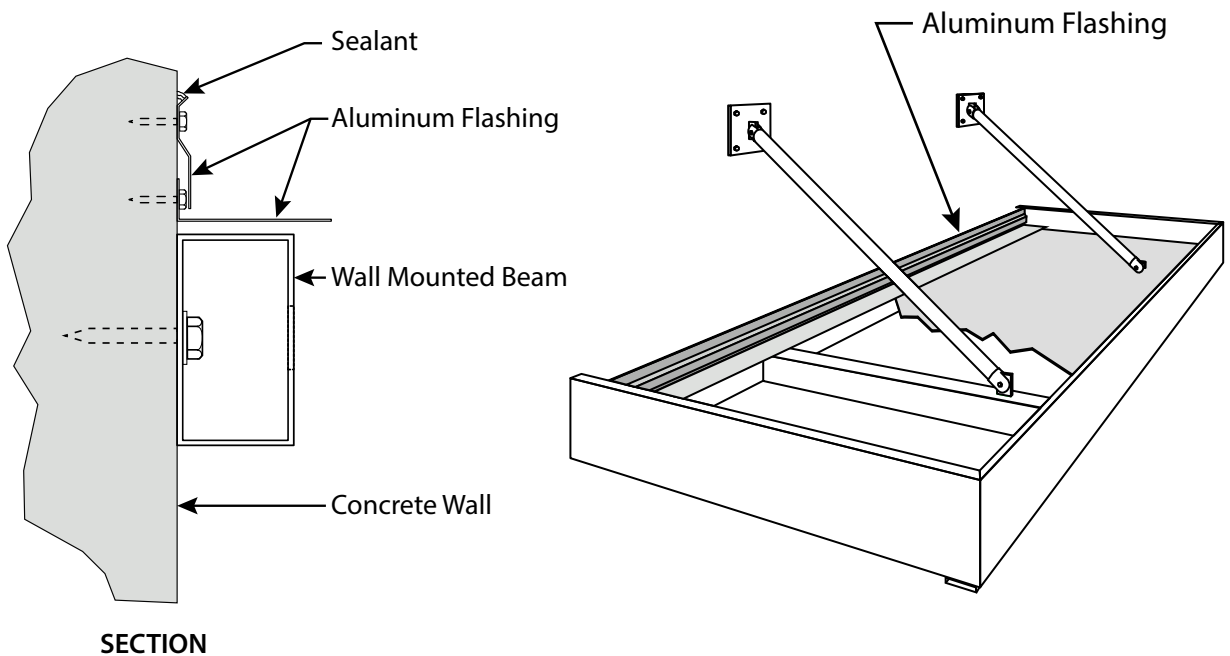
The scupper is a small device that is fastened over a hole in the gutter allowing water to drain. The scupper can be placed on the bottom face or underside of the gutter.

### DOWNSPOUT

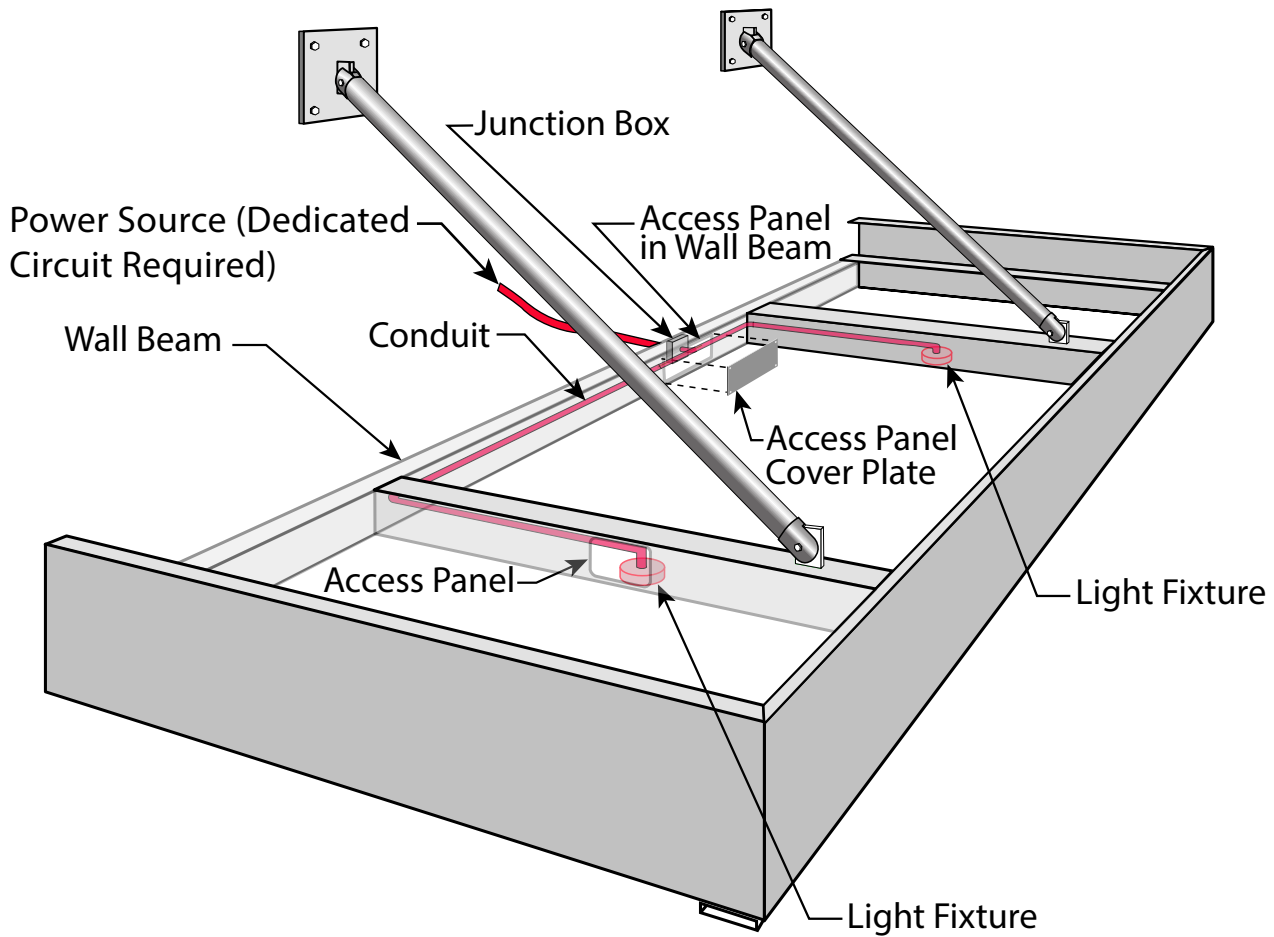


The downspout is a two piece assembly provided for water drainage. The drop outlet is placed inside a hole in the gutter and sealed. The downspout then slides over the drop outlet and is fastened and sealed. The downspout can be designed to be concealed inside the wall and out of sight.

### FLASHING DETAIL







ELECTRICAL DIAGRAM

**THE CANOPY CAN BE FITTED FOR PRE-PLANNED ELECTRICAL WIRING DURING THE FABRICATION PROCESS**

A hole is cut in the pre-planned location of electric power source. A dedicated circuit is necessary for the power source. As shown above, a junction box is mounted inside the wall mount beam. An access panel is provided at that location allowing access to wiring after the canopy is installed. Access panels are cut in other locations to facilitate installing and connecting fixtures. The example shown above is a for basic installation of two lights.



CANTILEVER WALKWAY  
HOMESTEAD, FLORIDA



STANDING SEAM METAL ROOF



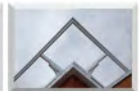
METAL WALKWAY COVER  
DAVIE, FLORIDA



**Our metal product line includes more than just roofs and canopies. These two pages show some of our additional metal products.**

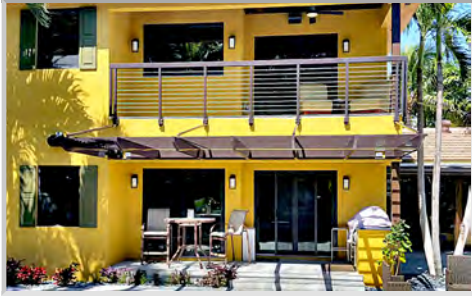


METAL ENTRY CANOPY  
HOMESTEAD, FLORIDA

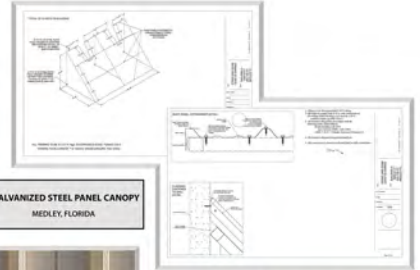
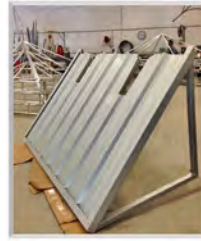
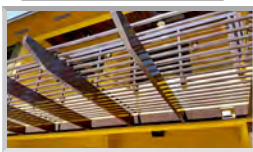


DECORATIVE METAL ACCENT





**METAL TRELLIS AND RAILINGS**  
HOLLYWOOD, FLORIDA



**GALVANIZED STEEL PANEL CANOPY**  
MEDLEY, FLORIDA



**METAL ROOFS & CANOPIES**



**METAL ENTRYWAY CANOPY**  
MIAMI, FLORIDA



**RESIDENTIAL PORCH TRELLIS**



**METAL ROOF & CANOPY**  
FORT LAUDERDALE, FLORIDA



Our metal canopies are processed with a durable powder coat or Kynar® finish to provide protection against weathering, aging and pollution.



Visit our website [ThompsonAP.com](http://ThompsonAP.com) to learn more about our distinctive metal and fabric product lines and services.

Architectural Metal Structures  
Metal Canopies & Roofs  
Metal & Fabric Equipment Enclosures  
Metal Louvered Roofs  
Metal Trellises  
Metal Airfoil Sunshades  
Decorative Bahama Shutters  
Tension Structures & Sails  
Retractable Roof Systems  
Retractable Weather Curtains

Retractable Solar Shades  
Retractable Awnings  
Fabric Awnings & Canopies  
Walkway Covers  
Carports  
Multi Vehicle Parking Covers  
Patio Awnings & Systems  
Cabanas  
Window & Door Awnings  
Umbrellas



5828 Washington Street Hollywood, Florida 33023

954-963-7717

[ThompsonAP.com](http://ThompsonAP.com)

888-745-3671